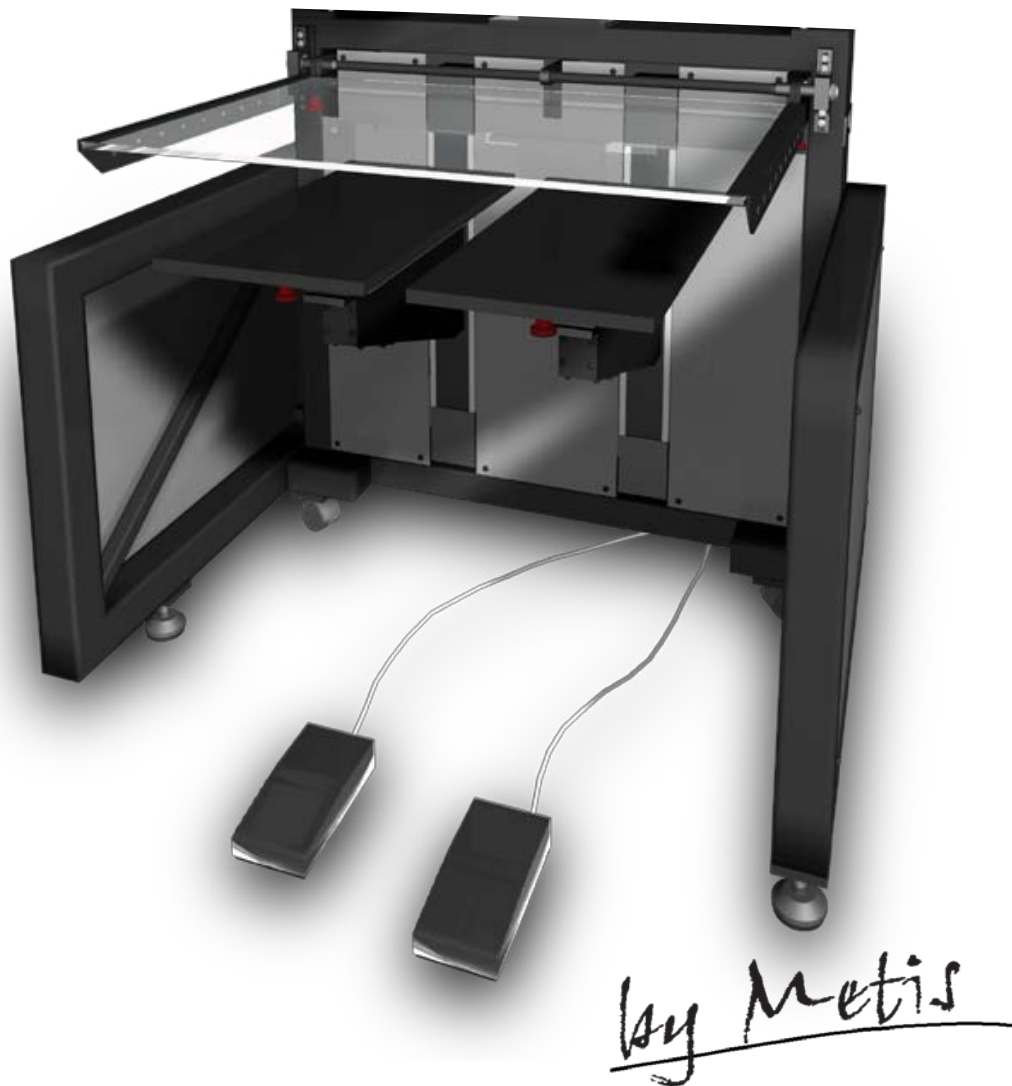


METIS SYSTEMS

HIGH QUALITY SCANNERS



DRS 5070 Book Cradle

ENG v.1310-1.1

METIS SYSTEMS

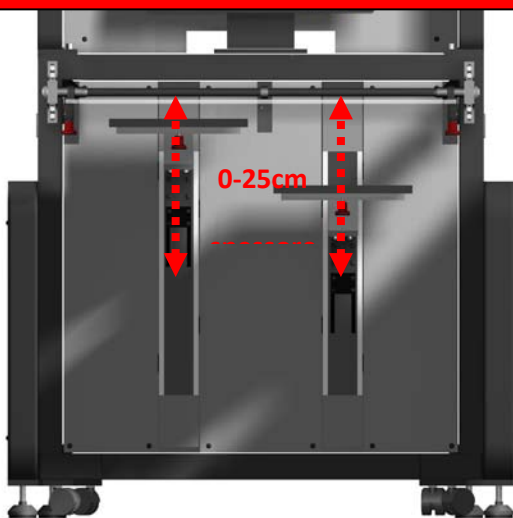
HIGH QUALITY SCANNERS

Technical Specifications and description of the DRS 5070 Book Cradle

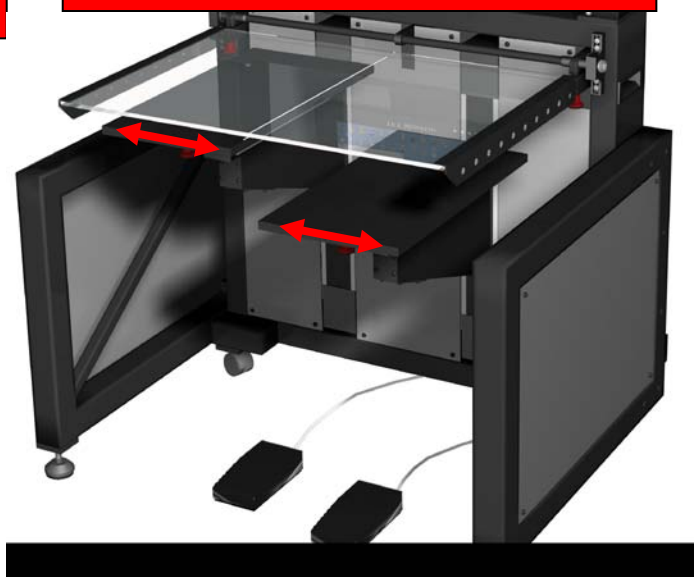
The DRS 5070 system integrates a highly automated, advanced and sophisticated electronic book cradle that can accommodate more than 25cm thick originals and capable of very fine pressure adjustments in order to allow safely handling and scanning fragile, valuable and antiques originals. Many features in this Book Cradle are absolutely unique and do not have corresponding in any other product today available in the market. In particular the main features of the DRS 5070 Book Cradle are :

- The book cradle integrate an autonomous and powerful intelligence which regulates in real time the cradle and glass behavior and position based on customer needs, on characteristics measured directly on the originals thanks to information provided by many different sensors (such as weight and pressure sensors).
- The book cradle accept books up to 50x70cm and 25 cm thick. The distance between the two plates may be adjusted by the user in order to fit any type of book.

Both plates are motorized and automatically adjusted to fit book weight, thickness and pressure. The unique electronic balance is highly customizable.



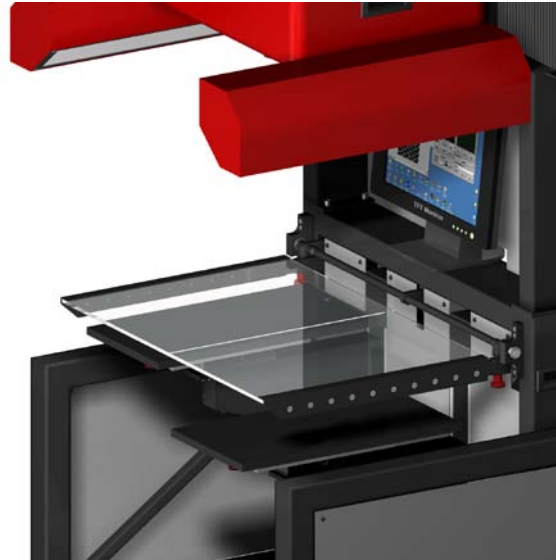
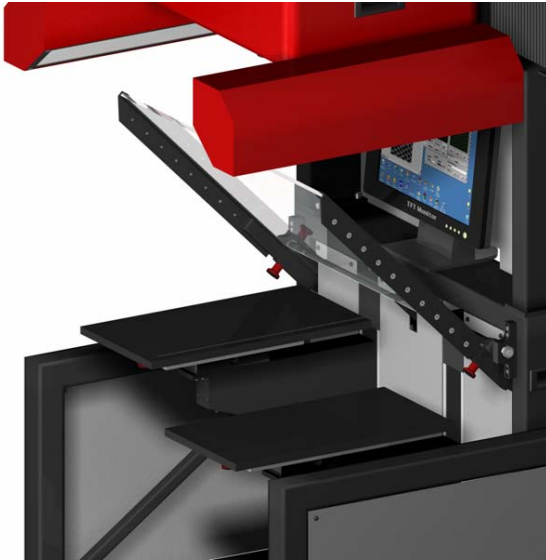
The space between the 2 plates may be manually set in order to accept different book gutter types.



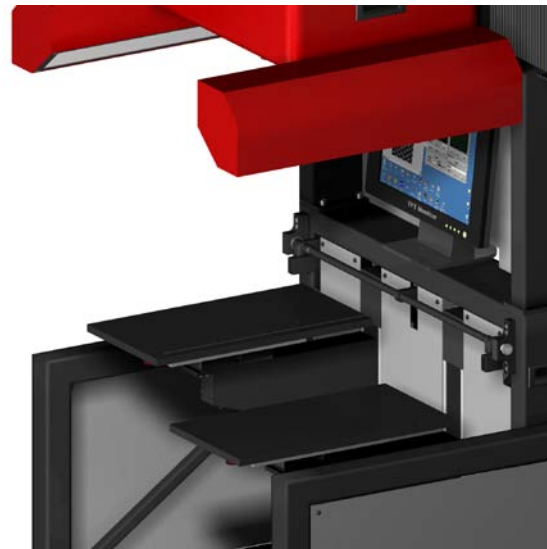
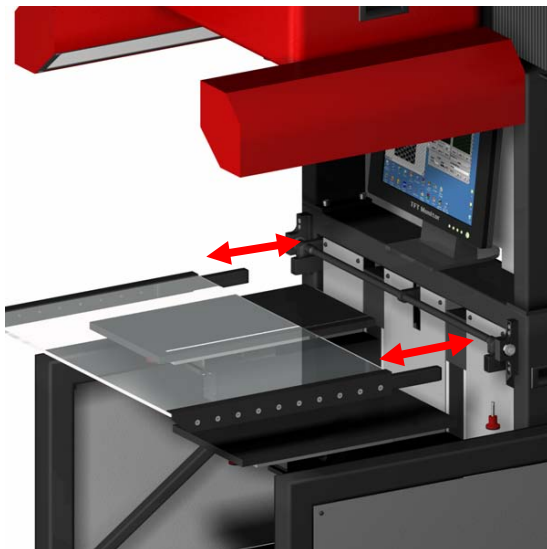
METIS SYSTEMS

HIGH QUALITY SCANNERS

- The book cradle integrates a motorized glass that can easily be removed for operating without glass. The glass opening angle may be manually set by the user. The opening/closing may be manual or automatic depending on user needs.



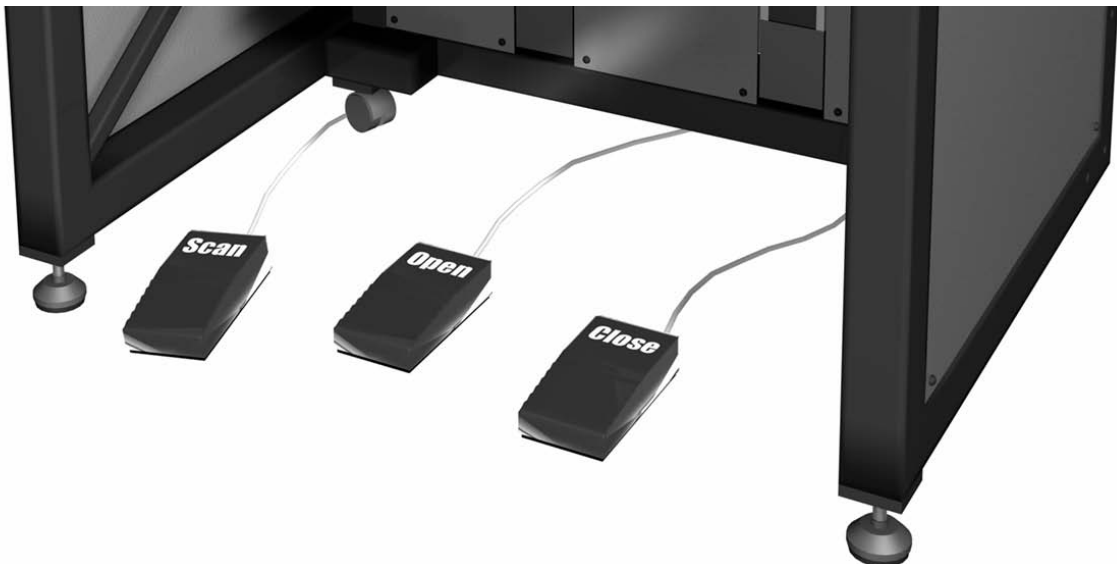
It's also possible to work with the glass but without contact between the glass surface and the originals. When the glass is removed the electronic book cradle enter into a completely different operating mode where the original position and weight is no more calculated respect to the glass position but instead is estimated based on original thickness and weight. This ensure always a proper magnification, focus and enlightening of the originals avoiding most of the typical problems caused by working without a glass.



METIS SYSTEMS

HIGH QUALITY SCANNERS

- The Book Cradle behavior is user adjustable down to the smallest detail in order to perfectly adapt to different operational needs (such as rapid and massive reproduction of books or on the contrary, the reproduction of ancient and fragile originals). For example you can set the maximum pressure over the originals, the speed of descent and ascent, the pressure accuracy, the thickness of the originals, the descent of the plates at a precise level in mm, the opening of the glass at a specific angle, the lock of the glass, the plates may be obliged to work in parallel, the plates may be locked in position in order to avoid contact between the originals and the glass, the opening / closing of the book cradle may be set manually or automatically and even semi-automatically, the start of the scan may be automatically started when the plates detect the regulated pressure, the opening of the book cradle may also be automatically issued at the end of every scan, the book cradle and/or the scan may be operated from the 3 integrated foot pedals, and much more. Most of these options are generally set automatically without the user having to necessarily interact with the software, but the most demanding user has also the possibility to customize the book cradle and workflow as desired.



- The pressure over the originals (when the glass is used) is accurately and automatically set to the desired level thanks to special sensors that can read differences of even a few grams over the plates. There is no other book cradle, such as the one integrated into the DRS 5070, capable of reaching a similar level of accuracy and sensitivity, and the benefit is visible when it

METIS SYSTEMS

HIGH QUALITY SCANNERS

comes to digitize very precious and delicate originals that otherwise could not be acquired with the aid of a crystal. In fact the system is so sensitive that it's even possible to stop the cradles simply with the touch of a finger. Furthermore the pressure between the two plates (the two sides of the book) is always taken into consideration in order to avoid stressing the books independently from the use of the glass.

- The book cradle integrate a unique "electronic" balance. In fact, all book cradle which integrates a balance provide a mechanical solution that works with the "classical" principle of the old balance with weights. But the misalignment of the plans in such a mechanical balance is fixed and not adjustable while different originals (such as books but not only) can have a different weight / thickness ratio requiring different types of misalignment. The electronic balance into the DRS 5070 book cradle automatically adjusts itself to the detected original weight / thickness ratio, according to the information provided by various sensors (the value can also be manually set), making possible to work optimally with any type of original.
- Furthermore, the balance is equipped with an electronic friction (a sort of clutch) that allows the user to finely adjust the response of the plates according to the detected weight and pressure. For example, setting a soft friction allows the user to obtain an automatic and rapid adaptation of the plates position according to the weight / pressure / thickness of the book while at opposite a stiffer friction allows the user to manually adjust the plate misalignment pushing the plates with the hands (and this in practice is extremely useful).
- The book cradle incorporates several features built to protect the originals (but also the operator). For example: the descent of the plates is automatically stopped if an obstacle is detected under the plates (an object or the operator's knees), the crystal stop closing and possibly reopen if it encounter an obstacle (such as an original placed above the glass level when the glass is closing), the plates automatically lower if during the ascent of the

METIS SYSTEMS

HIGH QUALITY SCANNERS

plates the pressure regulated by the user is exceeded (it may happen if the book cradle is set to work very fast and the originals are very hard) .

- The book cradle, in particular the supports of the glass, have also been designed in order to allow accommodating originals in excess of the 50x70cm. In fact the book cradle is practically open on 3 sides.

